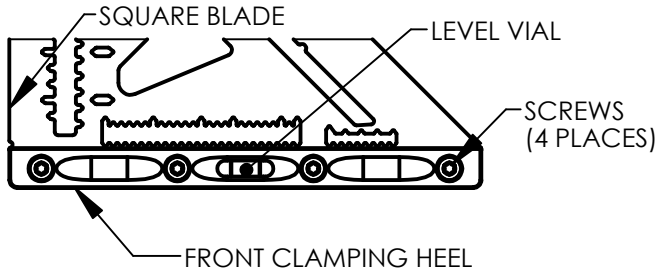
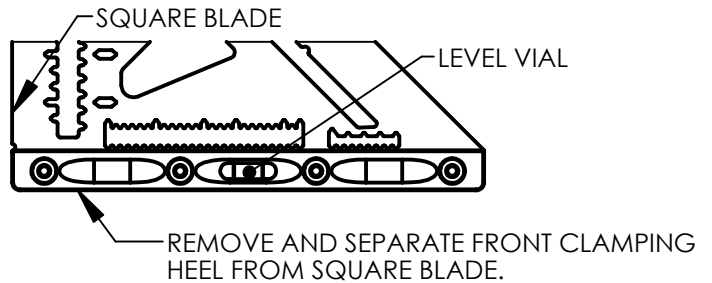


# MARTINEZ SQUARE LEVEL VIAL REPLACEMENT

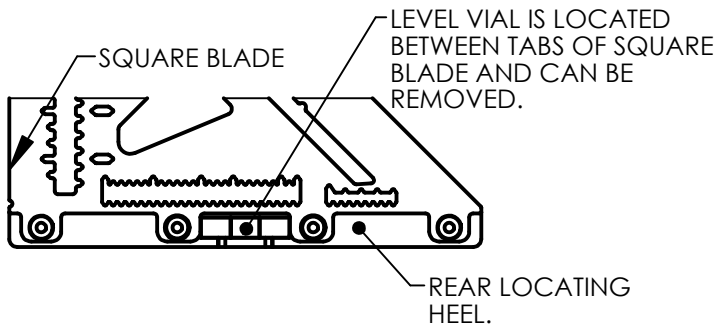
STEP 1: REMOVE 4 SCREWS FROM THE HEEL OF THE SQUARE.



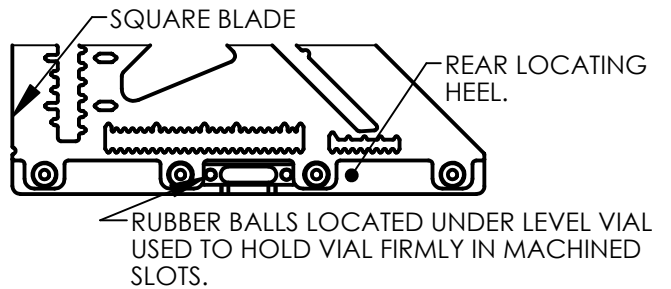
STEP 2: REMOVE THE HEEL TO EXPOSE THE BLADE OF THE SQUARE AND LEVEL VIAL.



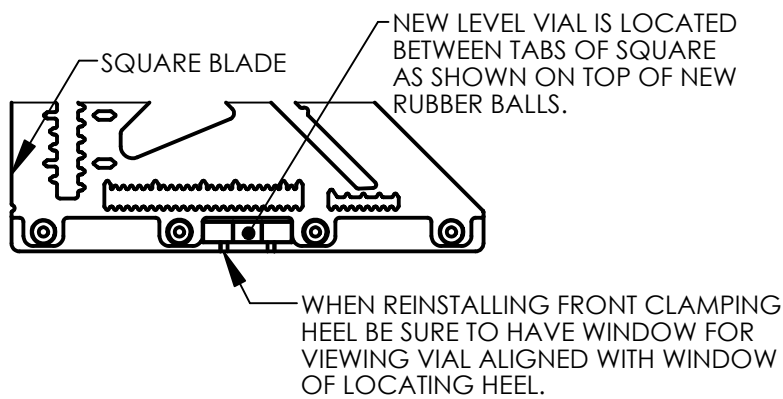
STEP 3: HEEL REMOVED SHOWING LEVEL VIAL IN POSITION.



STEP 4: RUBBER BALLS ARE LOCATED BEHIND LEVEL VIAL AND CARE NEEDS TO BE TAKEN TO BE NEW RUBBER BALLS ARE POSITIONED IN DRILLED POCKETS AS SHOWN



STEP 5: HEEL REMOVED SHOWING LEVEL VIAL IN POSITION.



STEP 6: SQUARE ASSEMBLED WITH SECTION VIEW SHOWING VIAL CORRECTLY INSTALLED.

