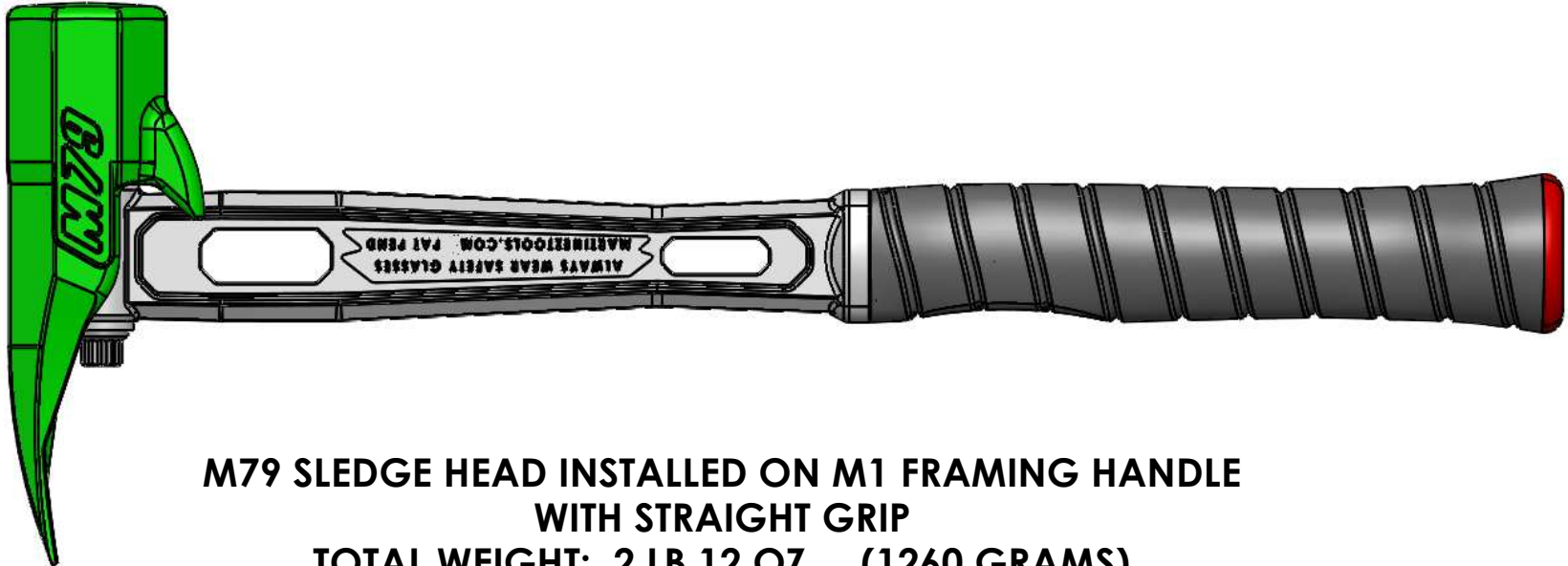
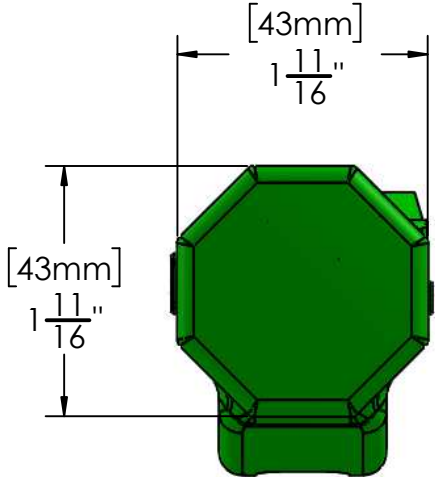
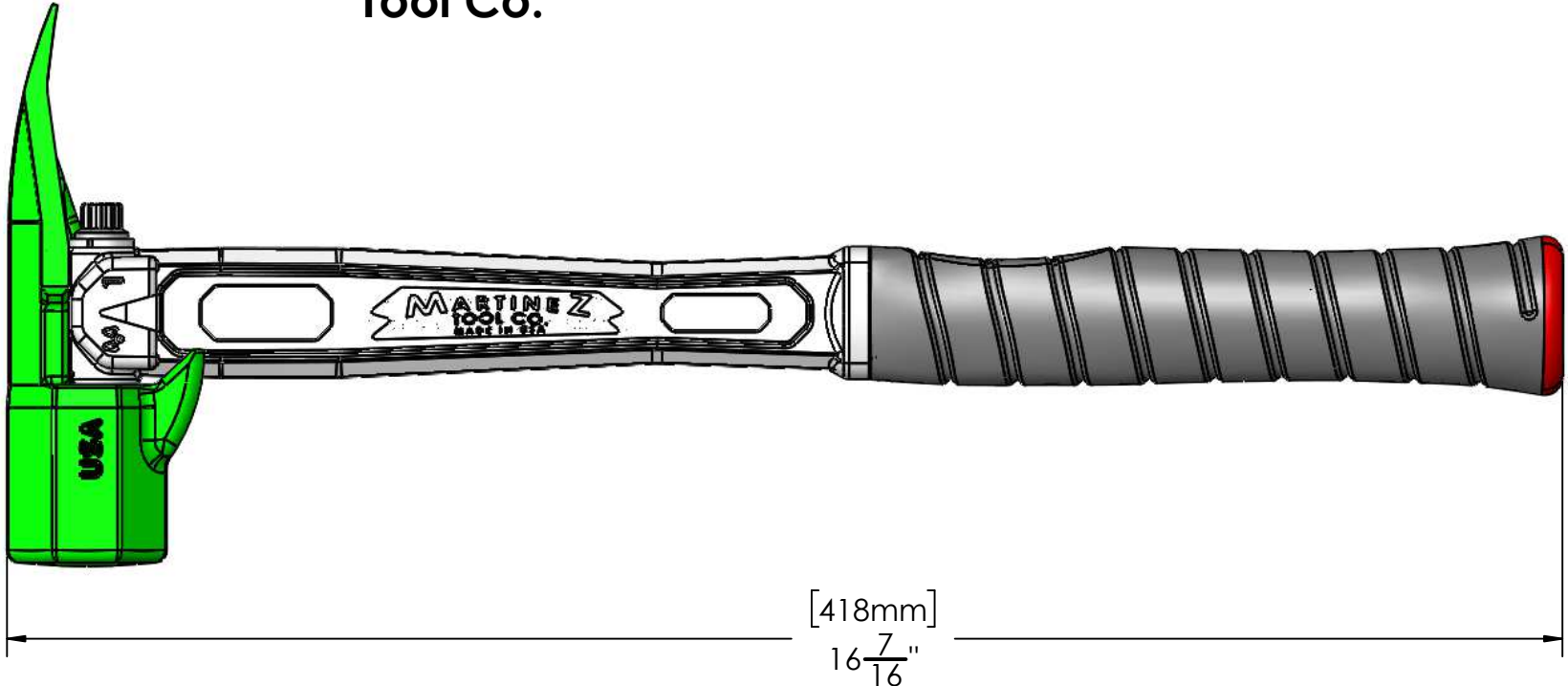
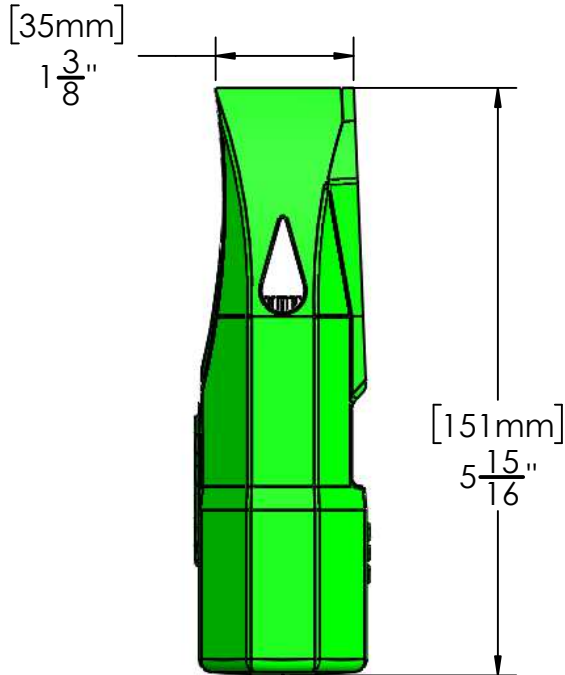


# MARTINEZ Tool Co.



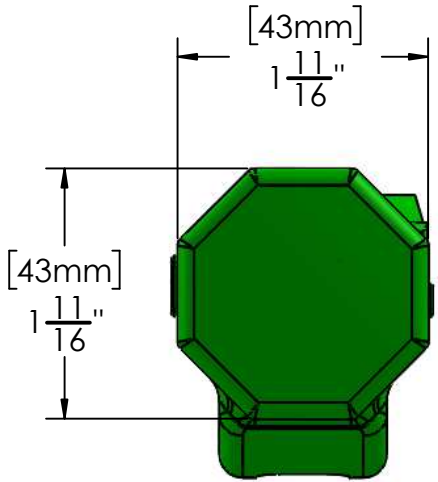
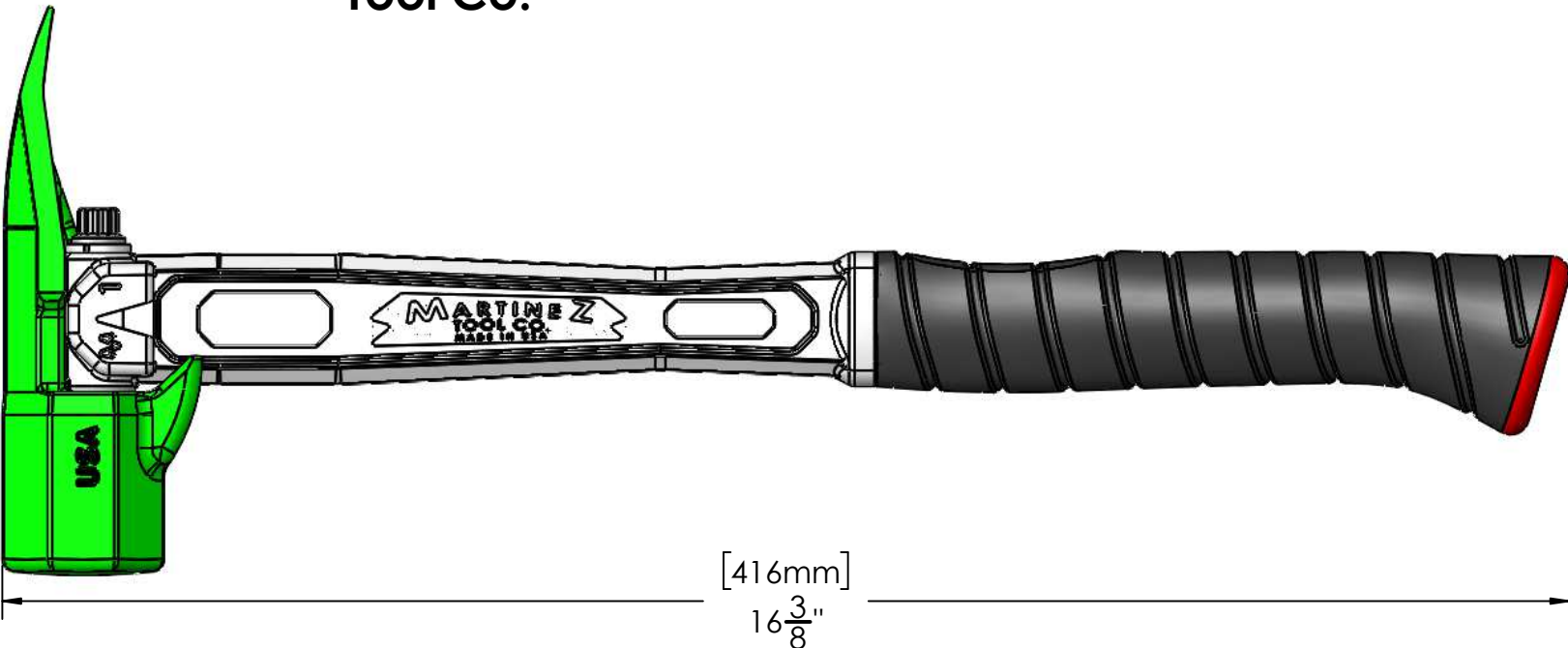
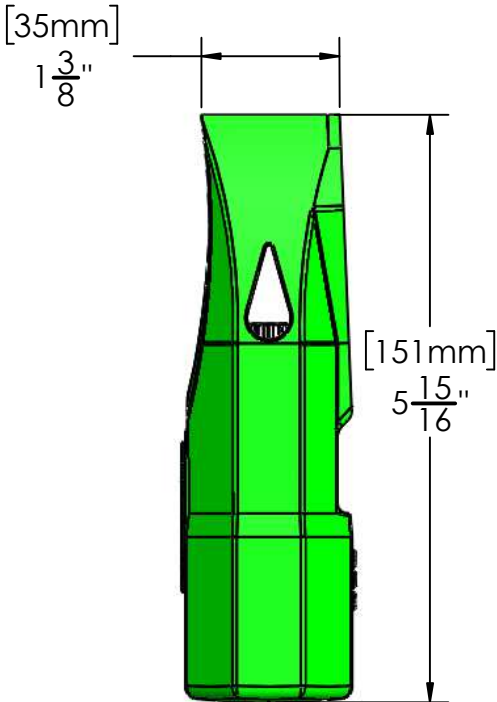
**M79 SLEDGE HEAD 29 OZ.  
SMOOTH FACE**

**M79 SLEDGE HEAD INSTALLED ON M1 FRAMING HANDLE  
WITH STRAIGHT GRIP  
TOTAL WEIGHT: 2 LB 12 OZ. (1260 GRAMS)  
M79-M1-S**

US PATENT 9,718,179

DIMENSIONS AND WEIGHTS MAY VARY SLIGHTLY FROM ACTUAL PRODUCT DUE TO MANUFACTURING VARIABLES

# MARTINEZ Tool Co.



**M79 SLEDGE HEAD 29 OZ.  
SMOOTH FACE**

**M79 SLEDGE HEAD INSTALLED ON M1 FRAMING HANDLE  
WITH CURVED GRIP  
TOTAL WEIGHT: 2 LB 12 OZ. (1260 GRAMS)  
M79-M1-C**

US PATENT 9,718,179

DIMENSIONS AND WEIGHTS MAY VARY SLIGHTLY FROM ACTUAL PRODUCT DUE TO MANUFACTURING VARIABLES