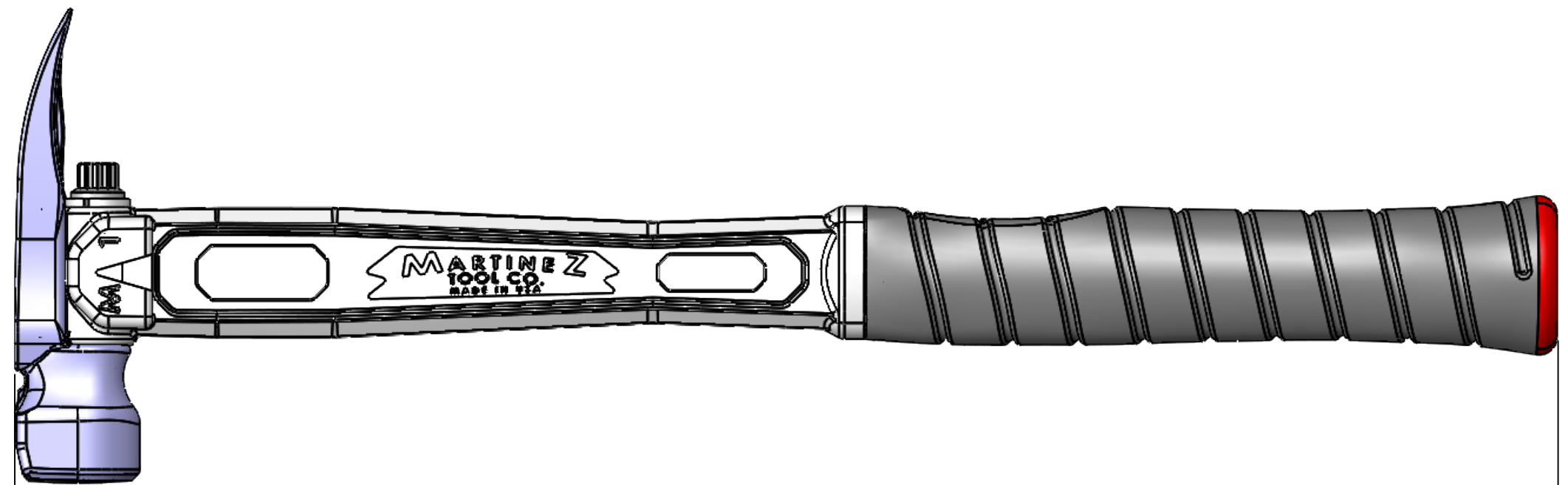
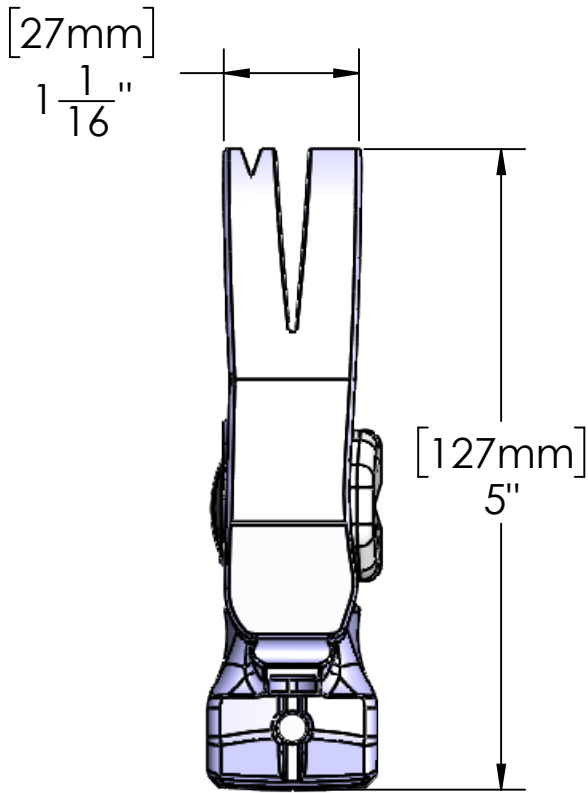
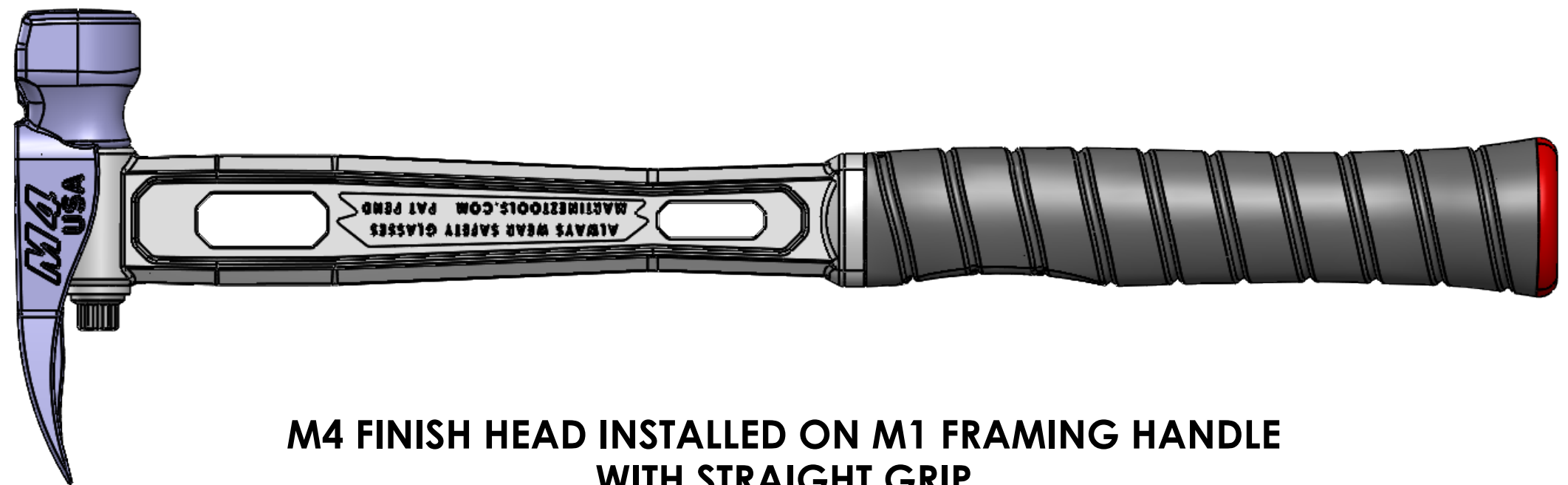
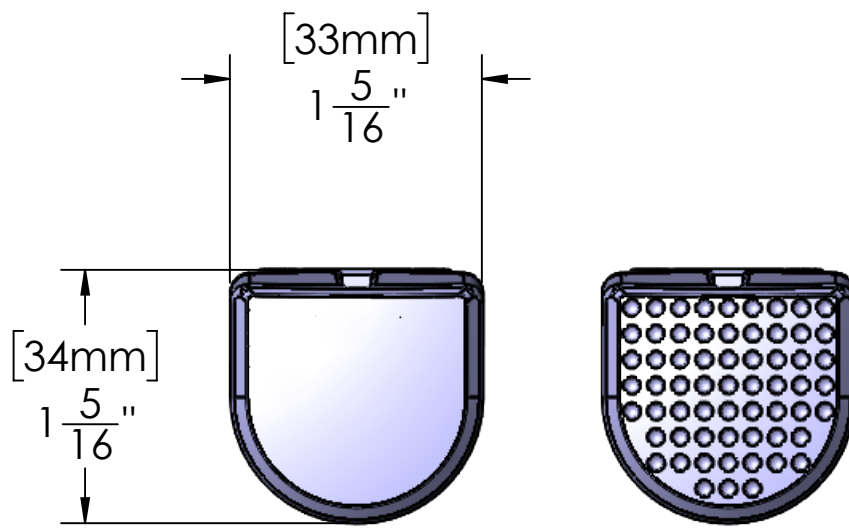


MARTINEZ Tool Co.



[415mm]
16 ⁵/₁₆"



**M4 FINISH HEAD 12 OZ.
SMOOTH & DIMPLE FACE**

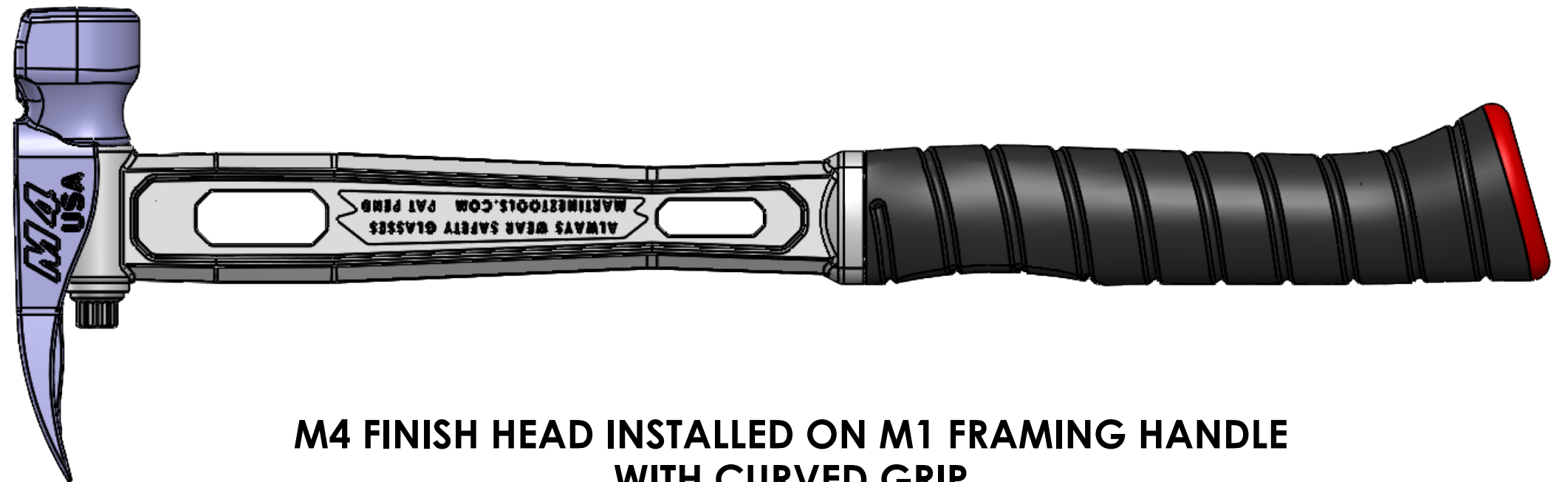
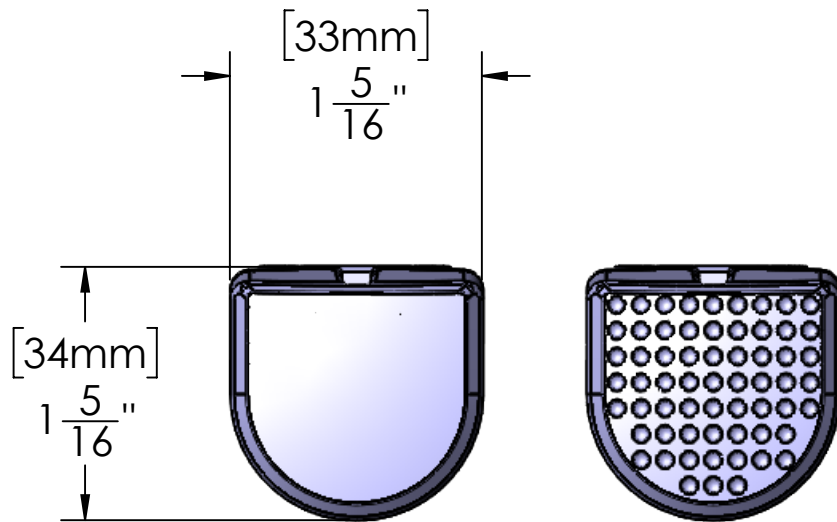
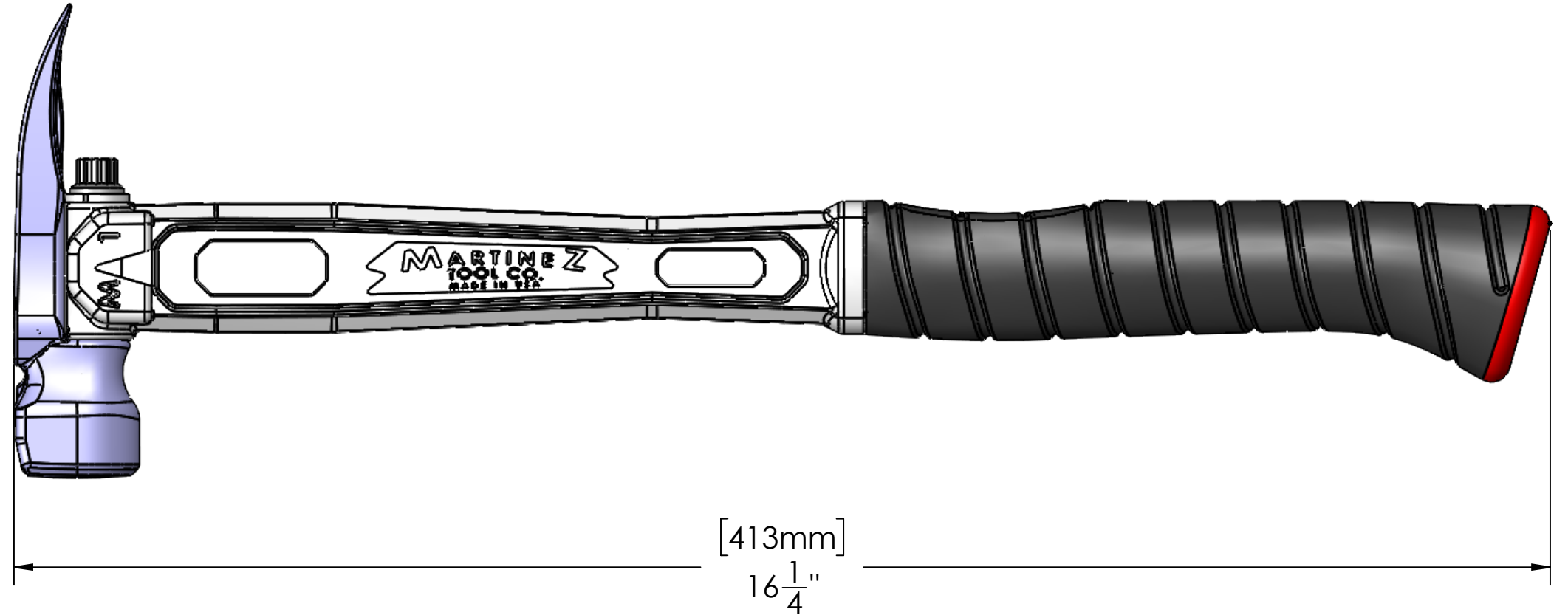
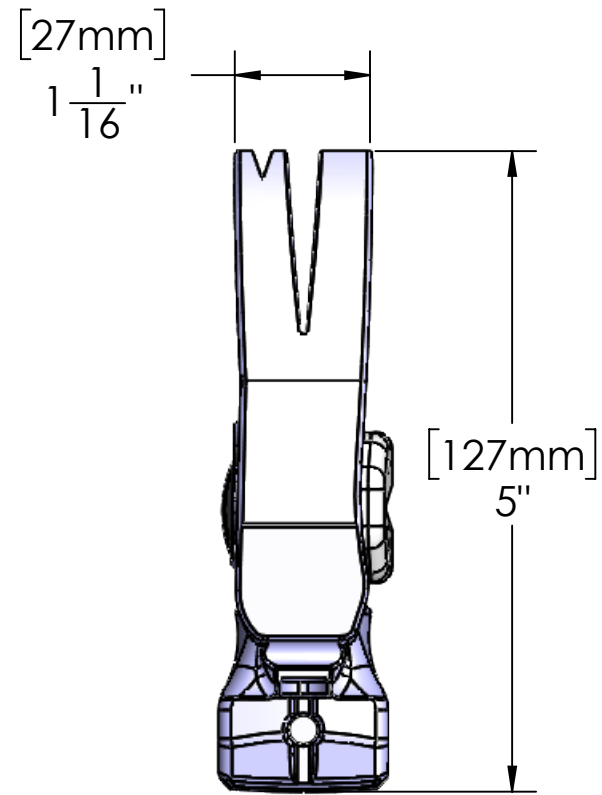
**M4 FINISH HEAD INSTALLED ON M1 FRAMING HANDLE
WITH STRAIGHT GRIP**

TOTAL WEIGHT: 1 LB 13 OZ (828 GRAMS)

SKU 4112 M4D-M1-S

SKU 4113 M4S-M1-S

MARTINEZ Tool Co.



**M4 FINISH HEAD 12 OZ.
SMOOTH & DIMPLE FACE**

**M4 FINISH HEAD INSTALLED ON M1 FRAMING HANDLE
WITH CURVED GRIP**

TOTAL WEIGHT: 1 LB 13 OZ (828 GRAMS)

SKU 4102 M4D-M1-C

SKU 4103 M4S-M1-C