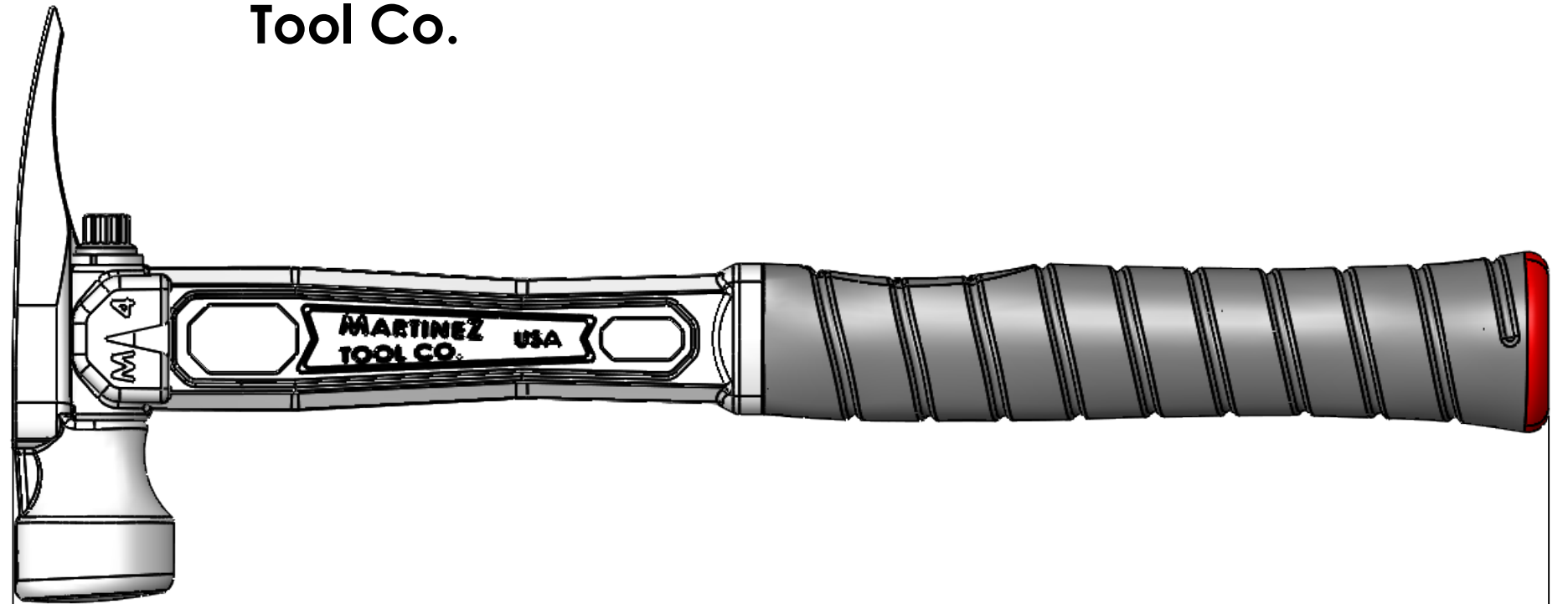
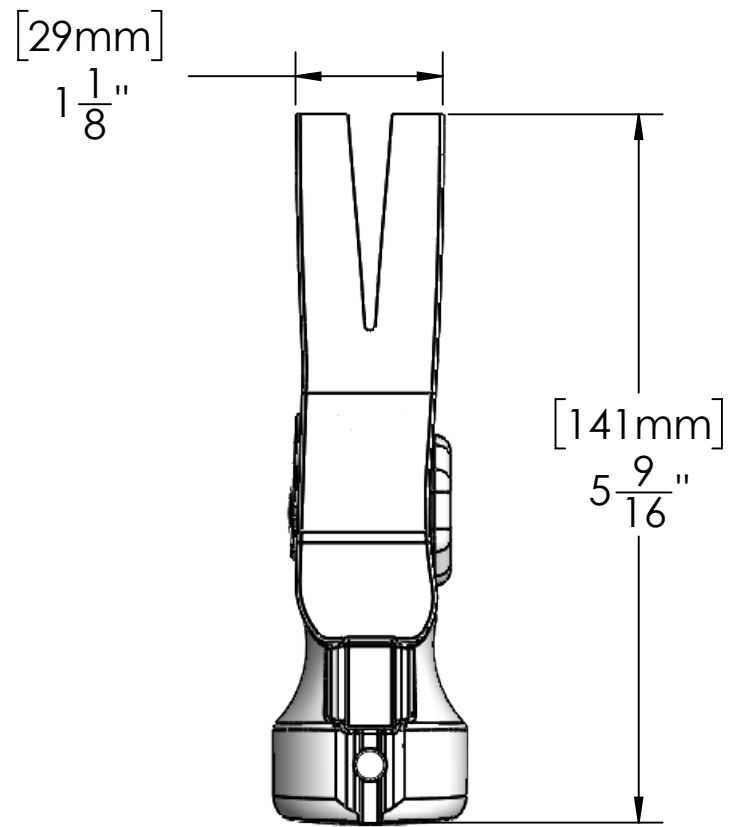
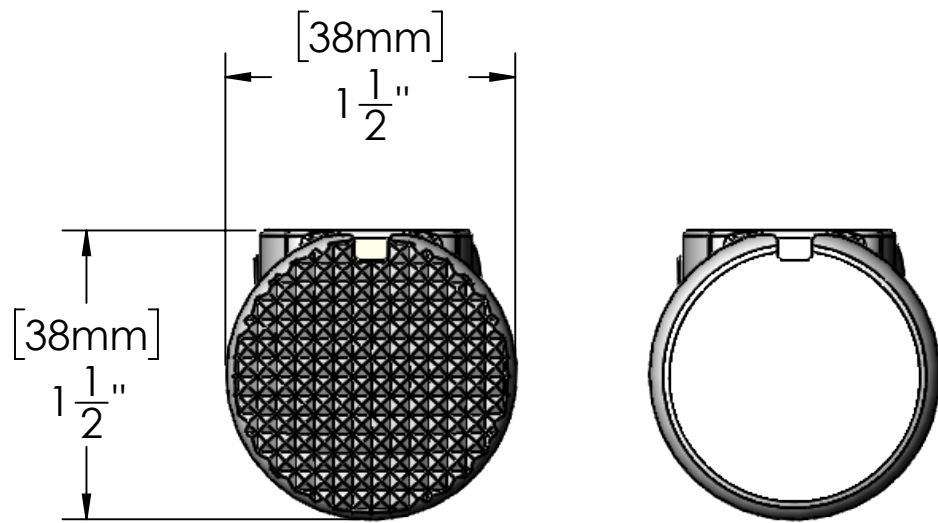


# MARTINEZ Tool Co.



[364mm]  
14 5/16"



**M1 FRAMING HEAD 15 OZ.  
MILLED & SMOOTH FACE**



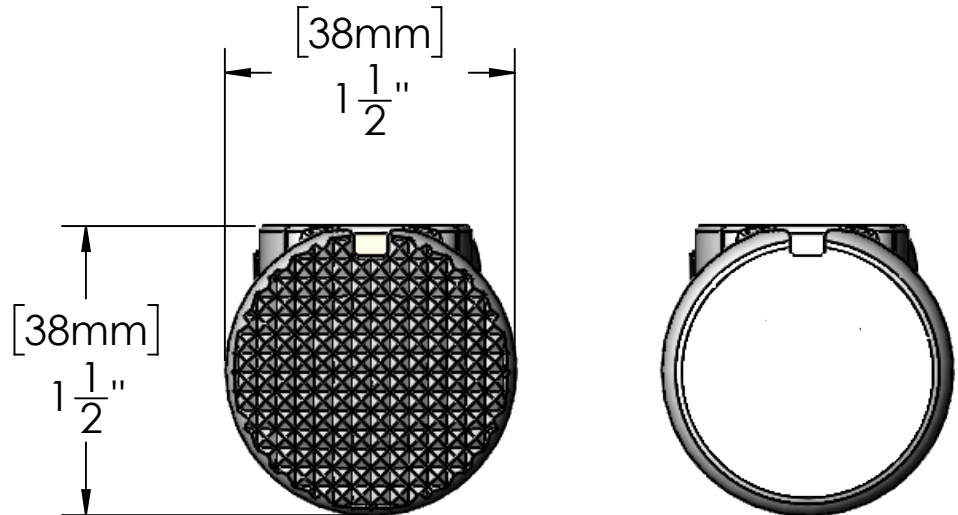
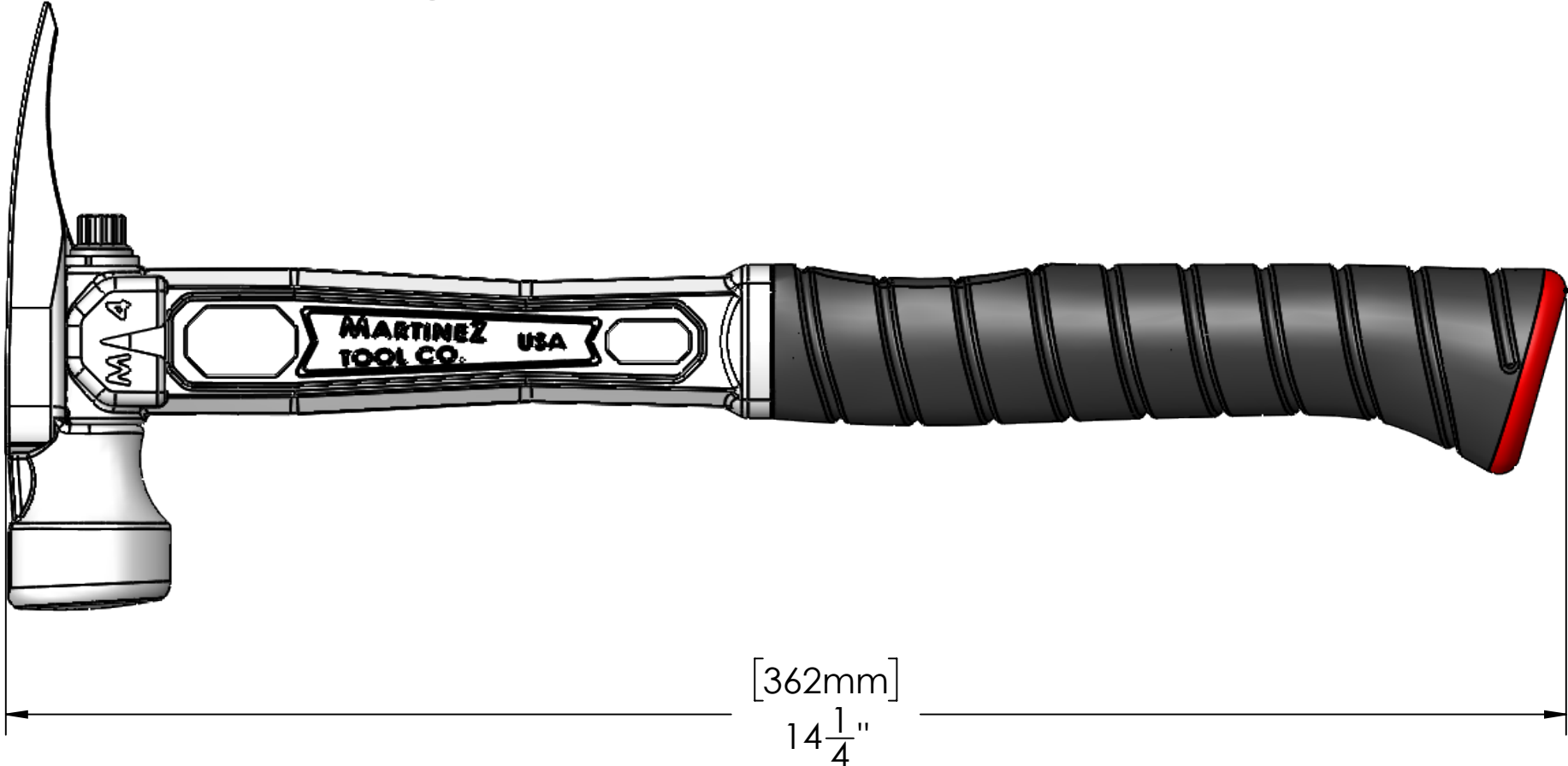
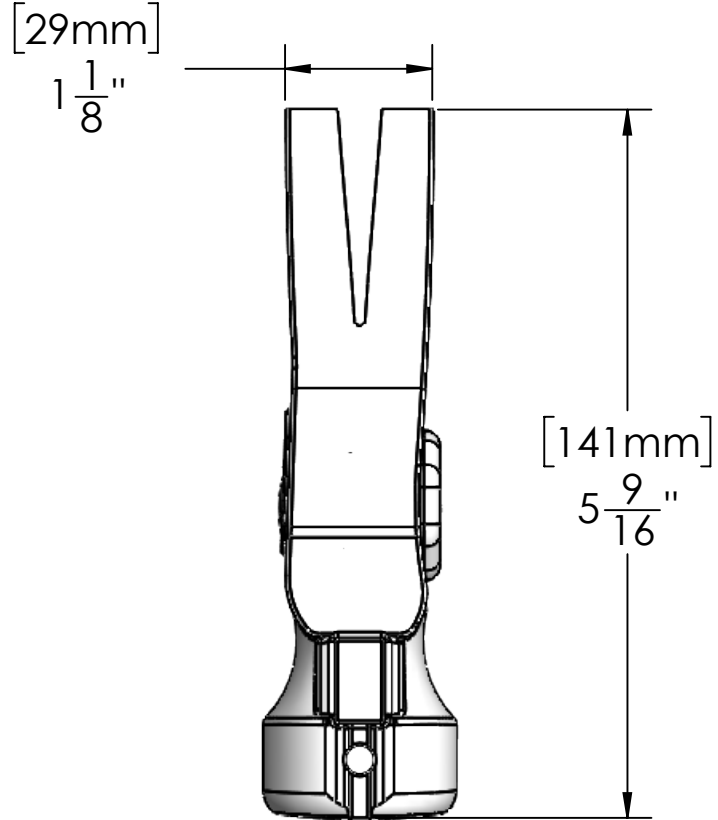
**M1 FRAMING HEAD INSTALLED ON M4 FINISH HANDLE  
WITH STRAIGHT GRIP**

**TOTAL WEIGHT: 1 LB 14 1/3 OZ (862 GRAMS)**

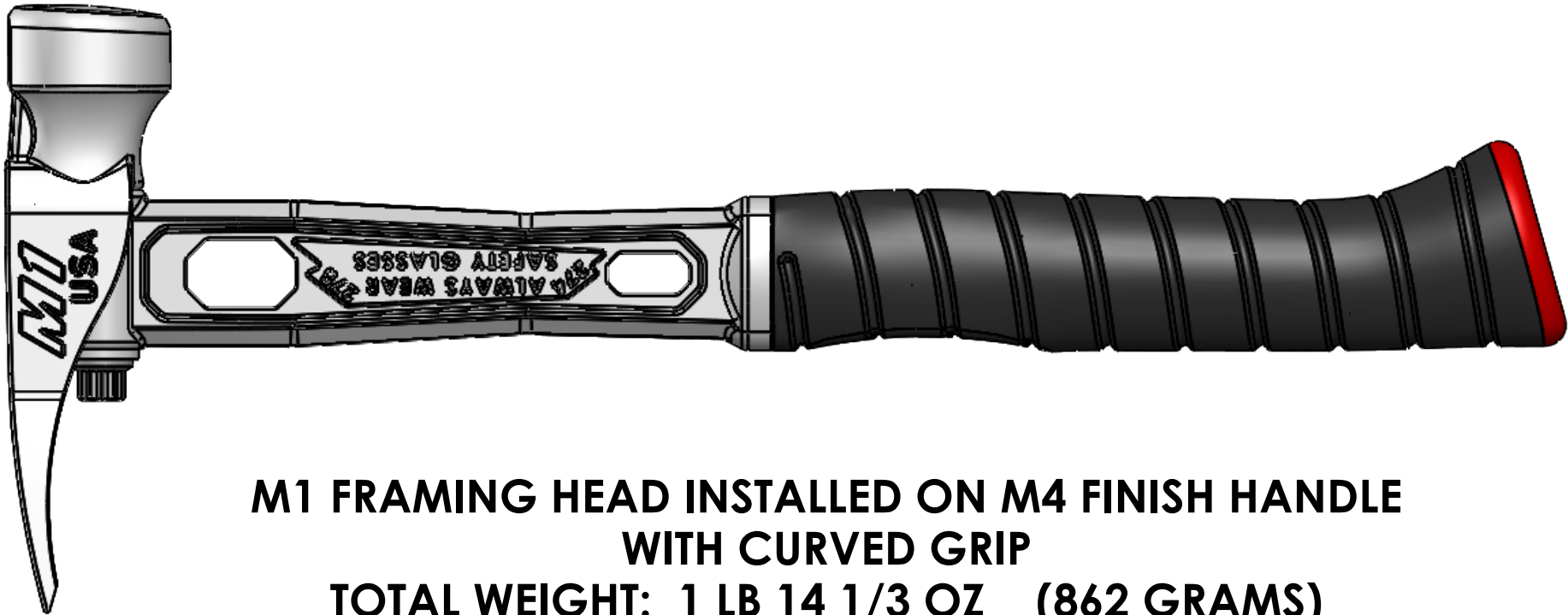
**SKU 4132 M1M-M4-S**

**SKU 4133 M1S-M4-S**

# MARTINEZ Tool Co.



**M1 FRAMING HEAD 15 OZ.  
MILLED & SMOOTH FACE**



**M1 FRAMING HEAD INSTALLED ON M4 FINISH HANDLE  
WITH CURVED GRIP  
TOTAL WEIGHT: 1 LB 14 1/3 OZ (862 GRAMS)  
SKU 4122 M1M-M4-C  
SKU 4123 M1S-M4-C**