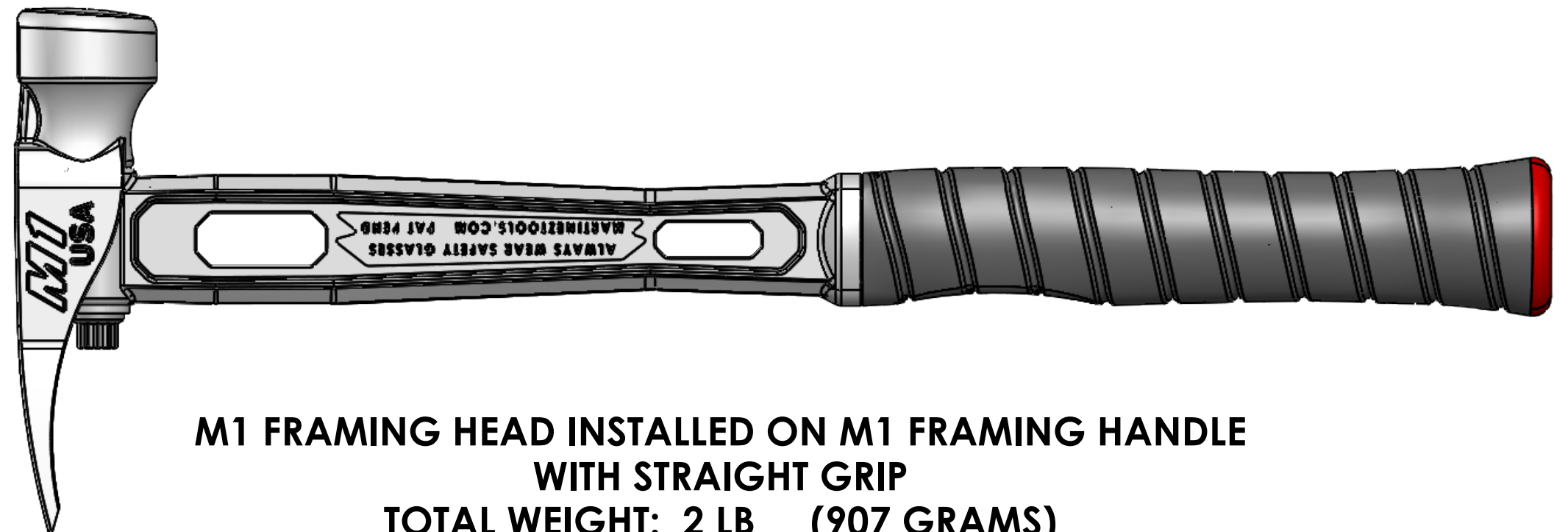
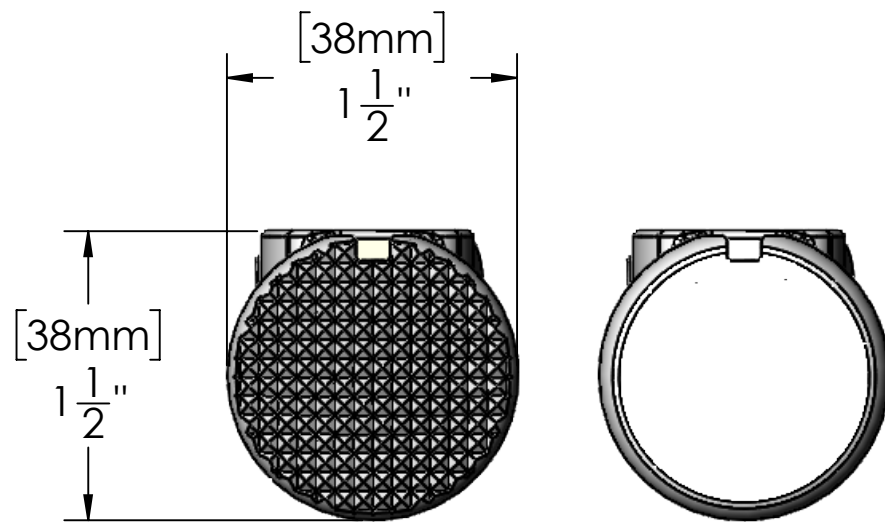
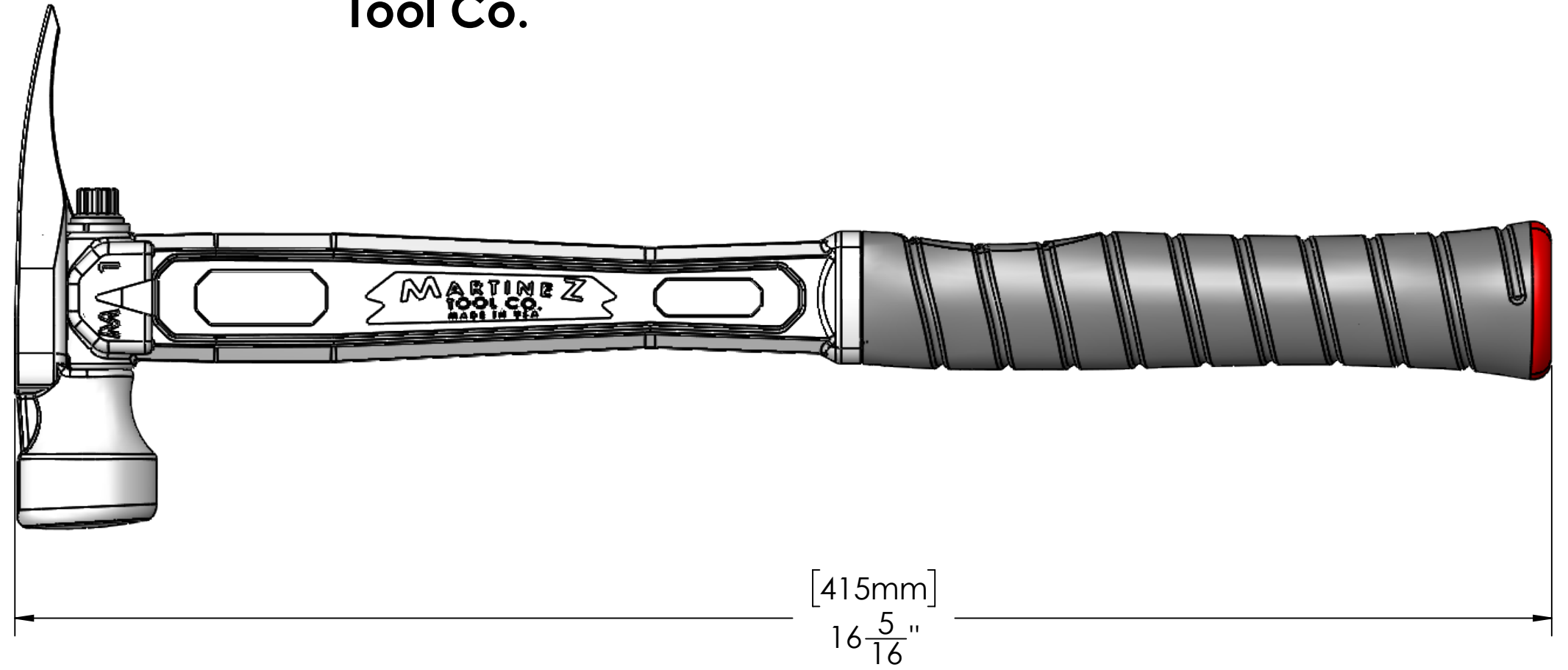
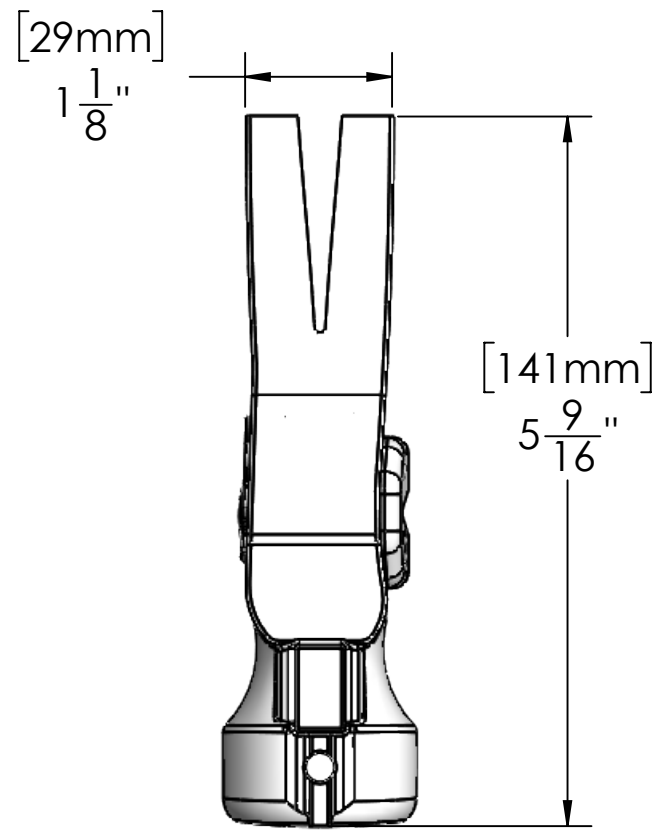


# MARTINEZ Tool Co.



**M1 FRAMING HEAD 15 OZ.  
MILLED & SMOOTH FACE**

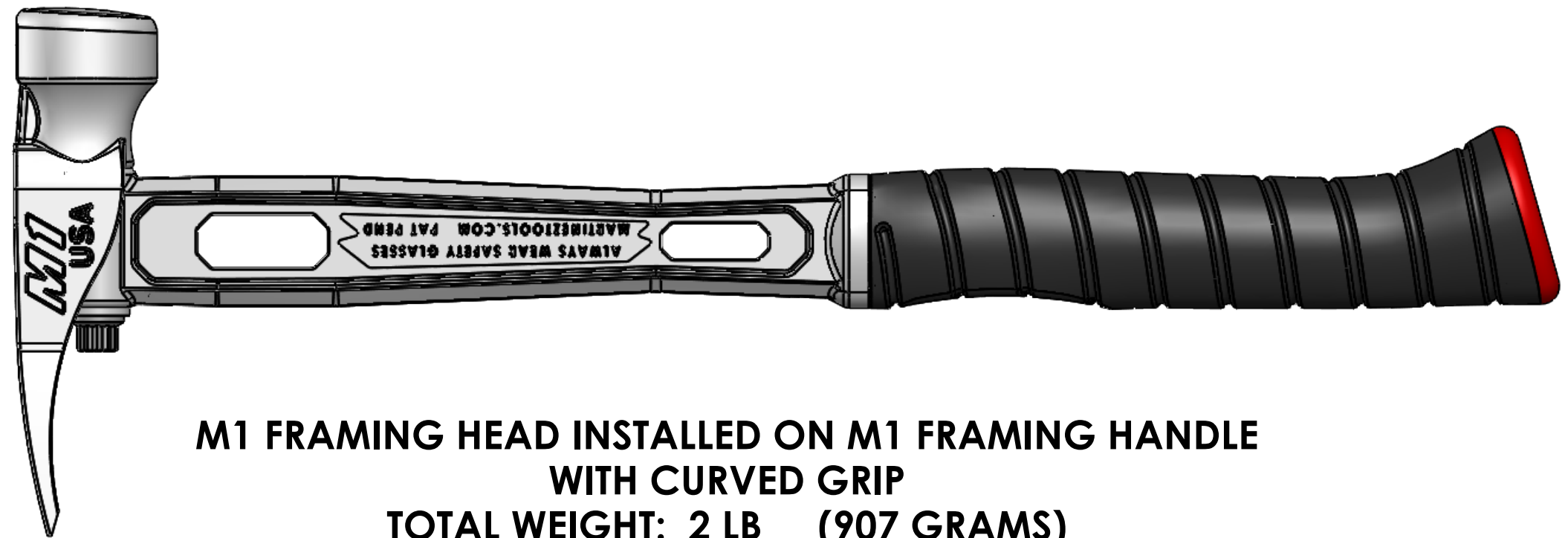
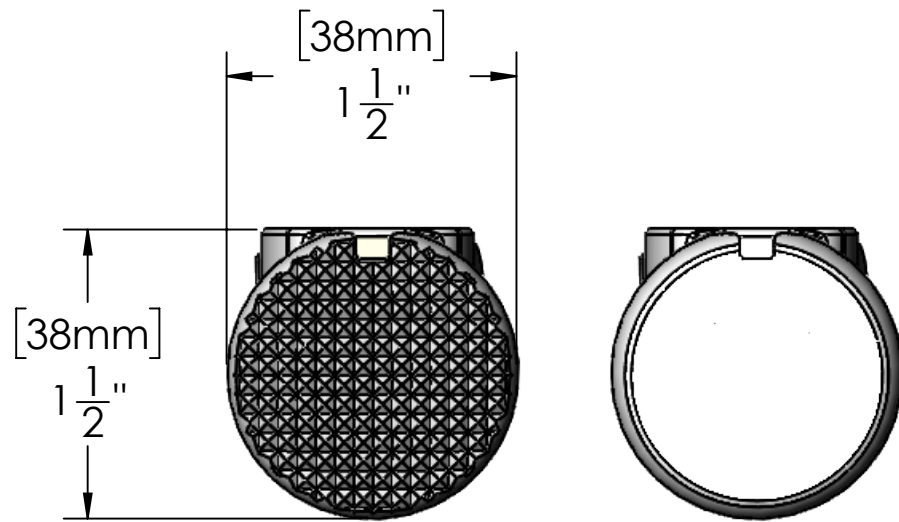
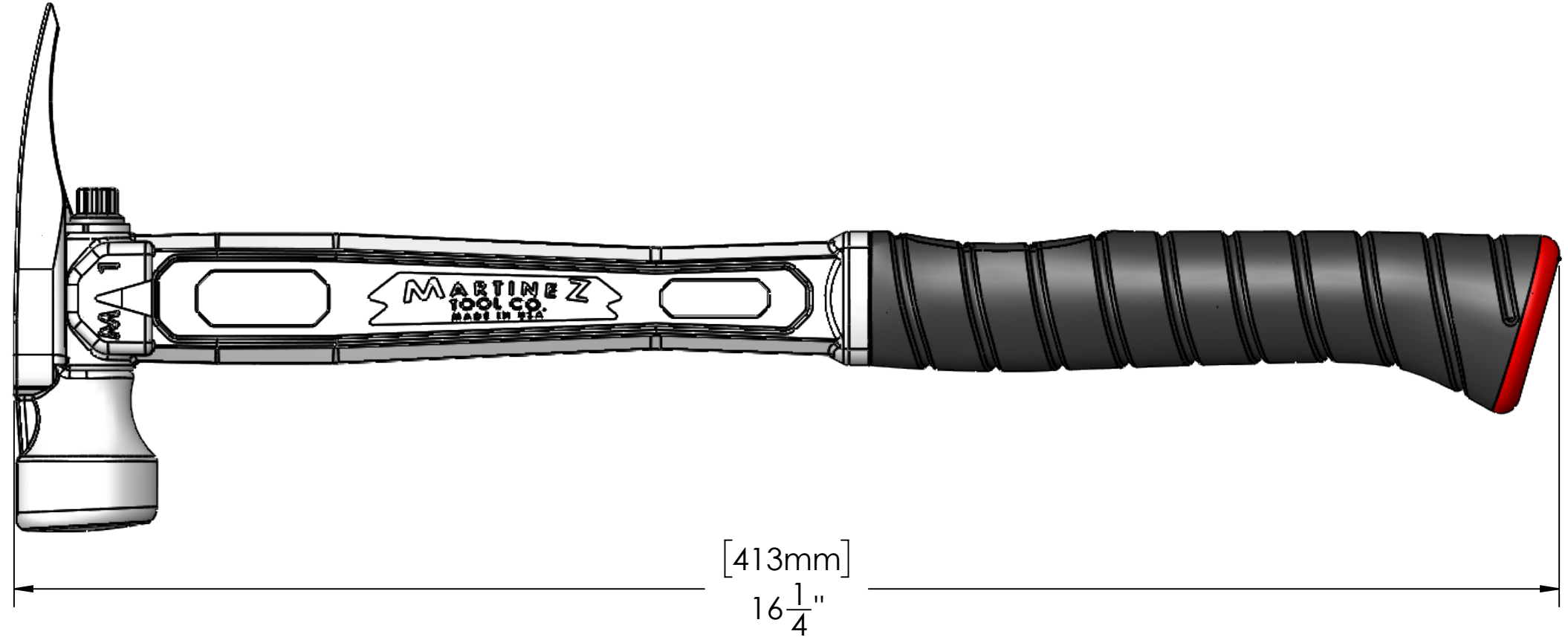
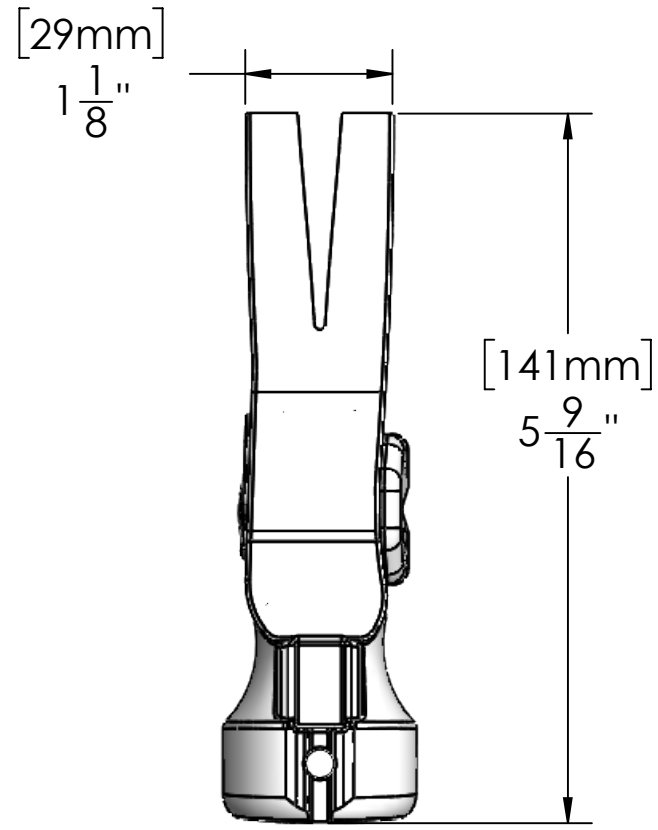
**M1 FRAMING HEAD INSTALLED ON M1 FRAMING HANDLE  
WITH STRAIGHT GRIP**

**TOTAL WEIGHT: 2 LB (907 GRAMS)**

**SKU 4110 M1M-M1-S**

**SKU 4111 M1S-M1-S**

# MARTINEZ Tool Co.



**M1 FRAMING HEAD 15 OZ.  
MILLED & SMOOTH FACE**

**M1 FRAMING HEAD INSTALLED ON M1 FRAMING HANDLE  
WITH CURVED GRIP**

**TOTAL WEIGHT: 2 LB (907 GRAMS)**

**SKU 4100 M1M-M1-C**

**SKU 4101 M1S-M1-C**