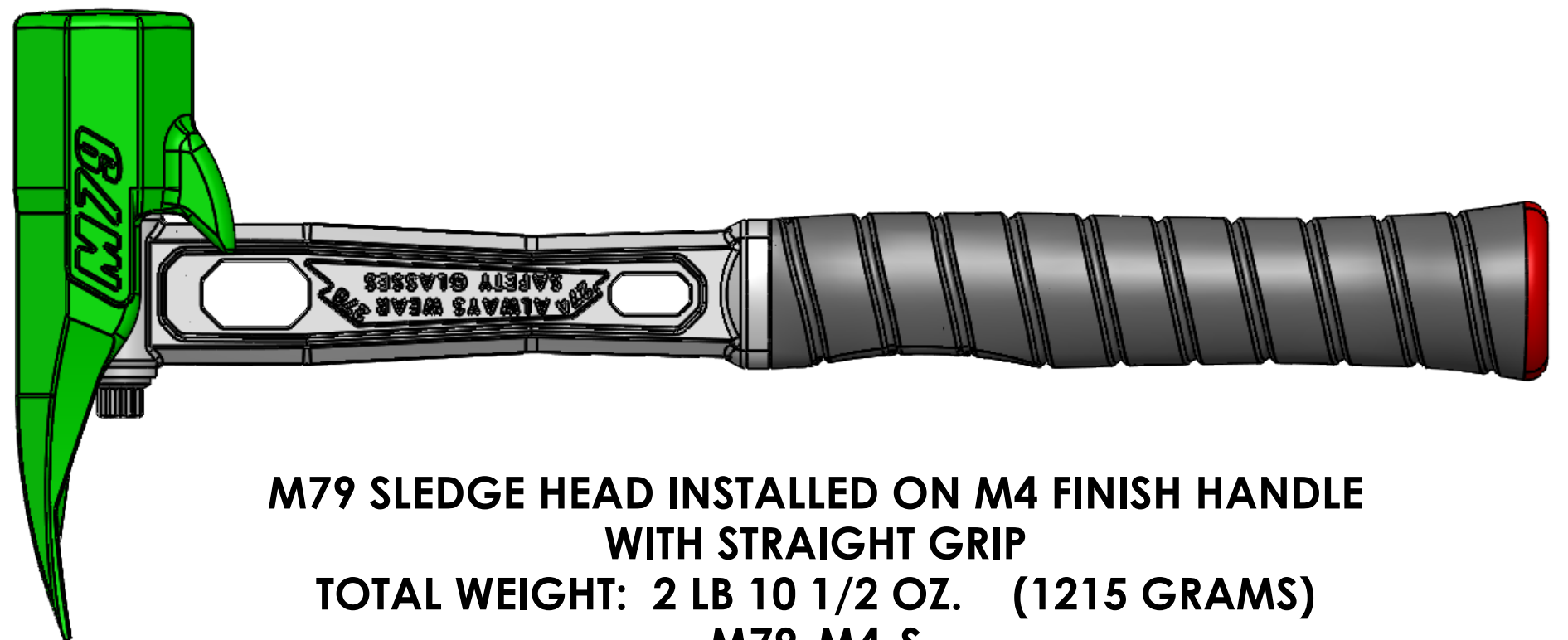
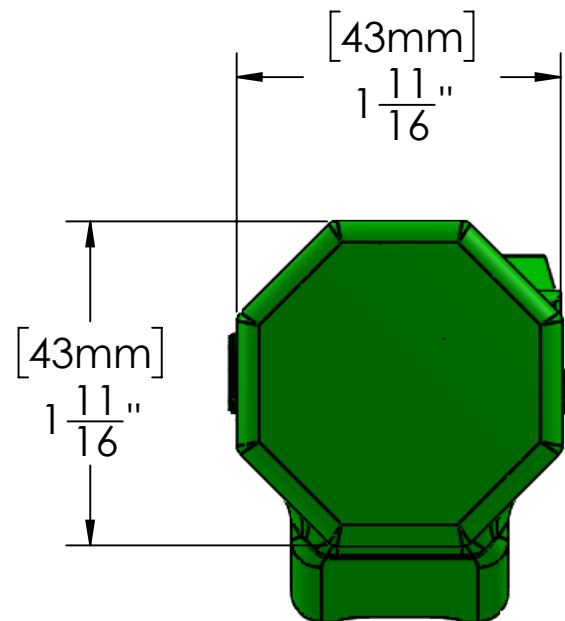
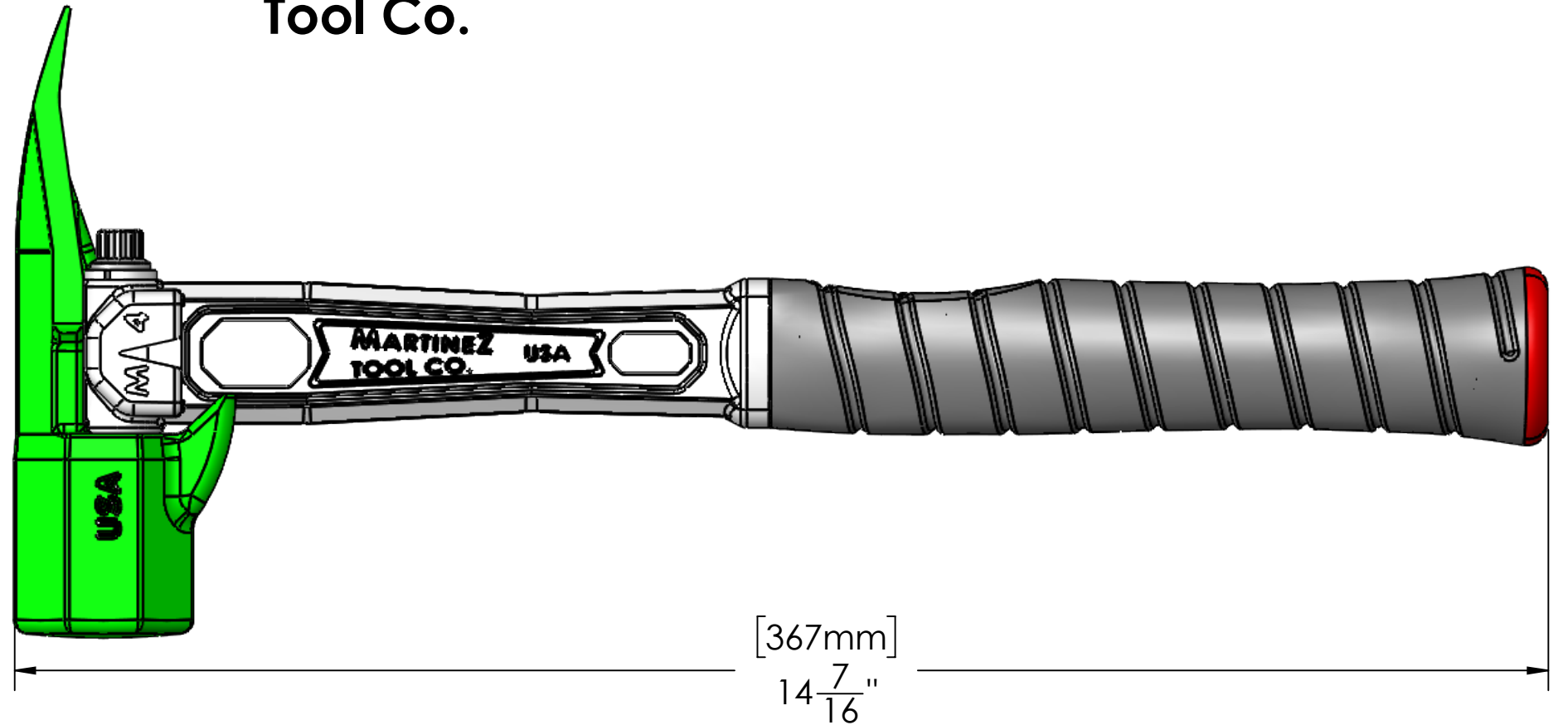
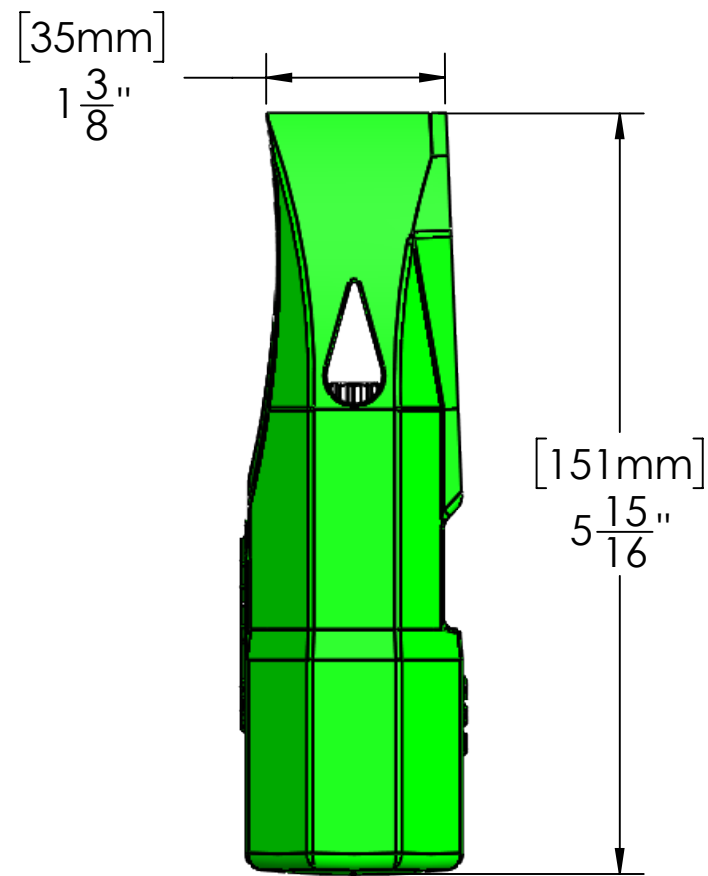


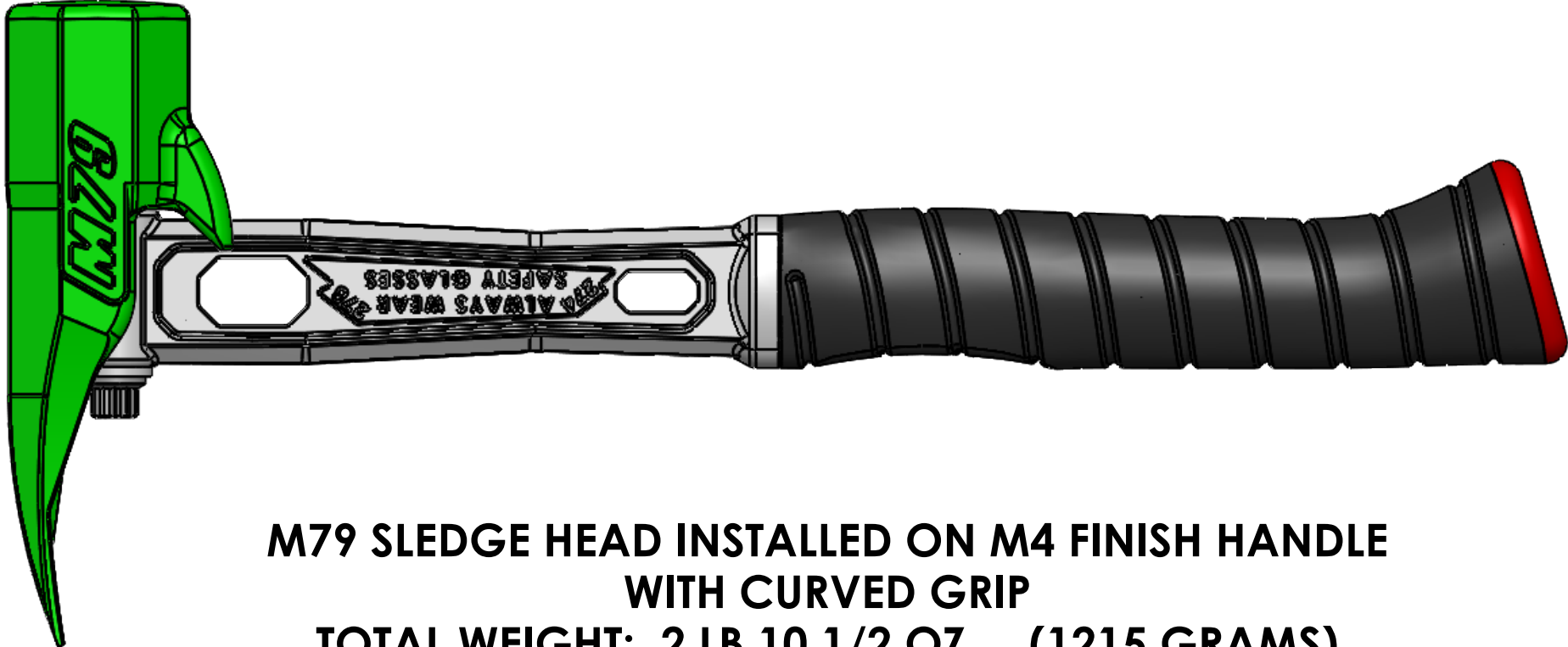
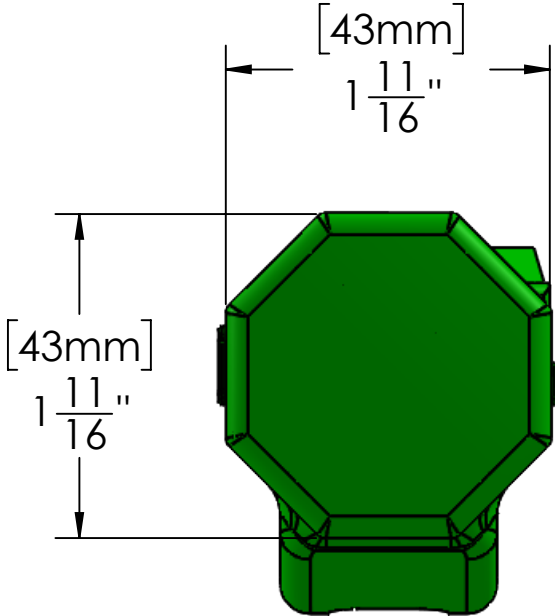
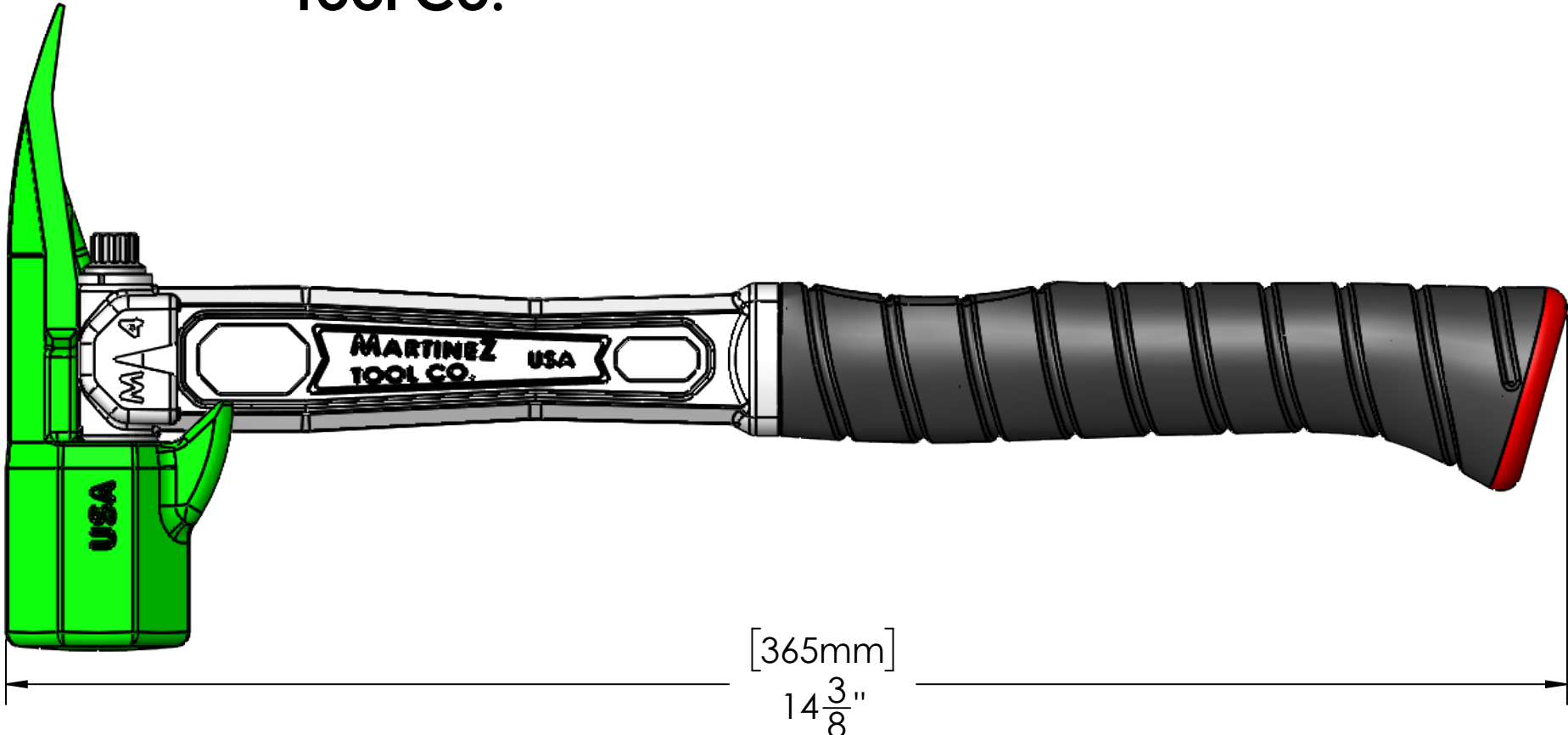
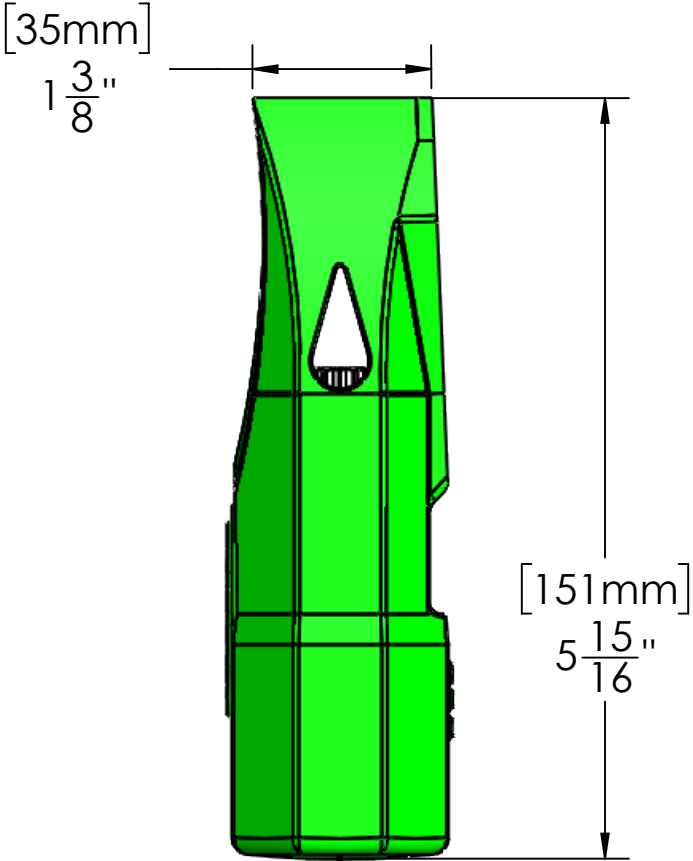
MARTINEZ Tool Co.



**M79 SLEDGE HEAD 29 OZ.
SMOOTH FACE**

**M79 SLEDGE HEAD INSTALLED ON M4 FINISH HANDLE
WITH STRAIGHT GRIP
TOTAL WEIGHT: 2 LB 10 1/2 OZ. (1215 GRAMS)
M79-M4-S**

MARTINEZ Tool Co.



**M79 SLEDGE HEAD 29 OZ.
SMOOTH FACE**

**M79 SLEDGE HEAD INSTALLED ON M4 FINISH HANDLE
WITH CURVED GRIP
TOTAL WEIGHT: 2 LB 10 1/2 OZ. (1215 GRAMS)
M79-M4-C**

US PATENT 9,718,179

DIMENSIONS AND WEIGHTS MAY VARY SLIGHTLY FROM ACTUAL PRODUCT DUE TO MANUFACTURING VARIABLES